



# LANDMARK LIFTS LTD

Freefone 0800 652 8138 Web [www.landmarklifts.co.uk](http://www.landmarklifts.co.uk)

## STRATEGOS PLATFORM LIFT

### Strategos Platform Lift

The 'Strategos' disabled access platform lift provides an ideal solution where the required lift travel height is between 500mm and 1999mm. The Strategos is a unique 'open aspect' platform system designed for both internal and external locations.

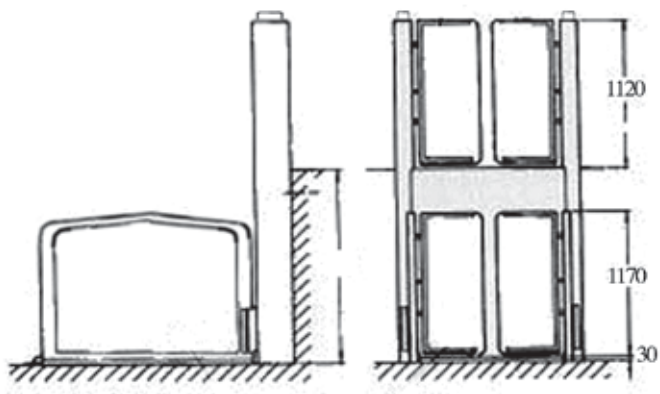
Its substantial and rugged construction is hot galvanised steel as standard or can be powder coated giving a colour choice.



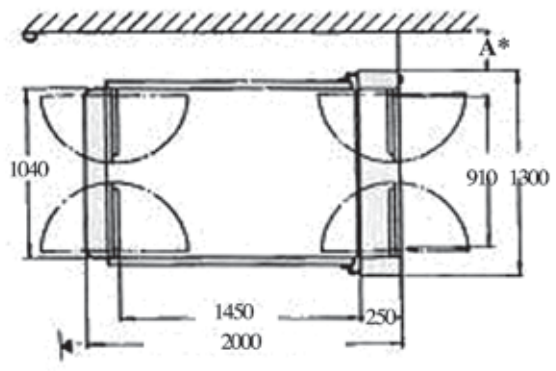


# TECHNICAL SPECIFICATION

<b>Lifting Capacity</b>	300kgs
<b>Lifting Heights</b>	Suitable for 500mm to 1999mm only
<b>Drive System</b>	Double screw and safety nut
<b>Motor</b>	2.5kW
<b>Lifting Speed</b>	60mm per second
<b>Power Supply</b>	240v; 50Hz single phase
<b>Overall Footprint</b>	1300mm wide (plus clearance to both sides) x 2000mm long
<b>Platform Size</b>	1040mm wide x 1450mm long clear
<b>Platform Finish</b>	Aluminium non-slip tread-plate flooring
<b>Control System</b>	Constant pressure 'push to run'
<b>Safety Features</b>	Touch sensitive cut-off to underside of platform Hand lowering system (in event of power failure) Swing gates (inter-locked according to lift position)
<b>Standards</b>	CE marked in accordance with 'The European Machinery Directives' 2006/42/EC



A\*. Please contact us for further information



## OPTIONS AVAILABLE

- Any RAL colour powder coating to all steelwork
- 90° adjacent entries
- Emergency telephone communication system

## BENEFITS

- Short manufacturing time
- Site installation normally around 2 days
- Minimal builders work required
- Substantial / rugged construction
- Suitable for internal & external locations
- Pit construction - NOT REQUIRED
- No separate lift plant to locate

# STRATEGOS PLATFORM LIFT

**Landmark Lifts Ltd.** 29 Charter Gate, Quarry Park Close, Moulton Park, Northampton NN3 6QB  
 t 0800 652 8138 f 01604 495 111 e info@landmarklifts.co.uk w www.landmarklifts.co.uk

Note - all details are correct at time of completion, however, all data maybe subject to change without prior notice. These details cannot form part of a written contract.

ref:Strategos-3/10